



MD32

MD32 Magnetometer

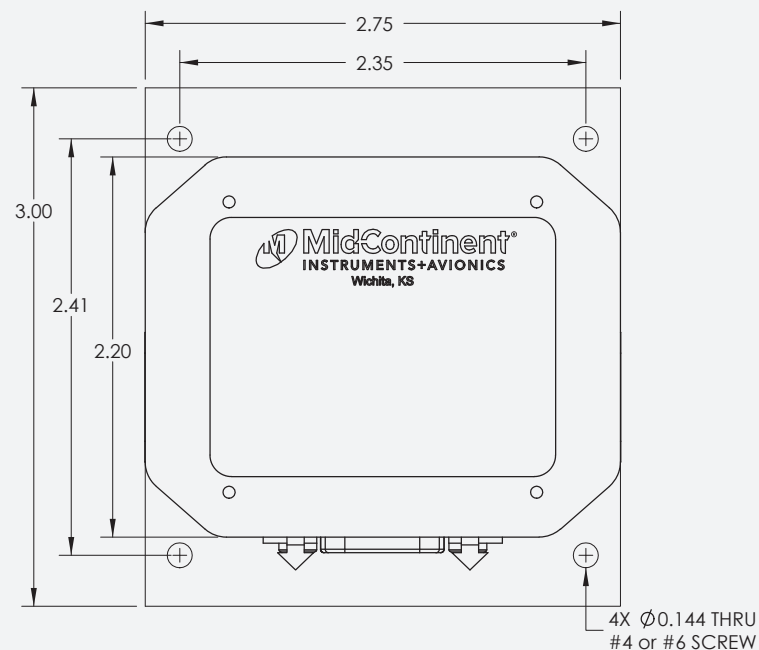
Manufactured by Mid-Continent Instruments and Avionics



DELIVERS INDEPENDENT HEADING REFERENCE TO
THE MD302 STANDBY ATTITUDE MODULE — **SAM**[®]

Introducing the MD32 Magnetometer designed specifically for the MD302 Standby Attitude Module – SAM[®]. The MD32 is FAA TSO-certified and delivers independent heading reference without orientation limitations or the need for special installation hardware. Its compact size, unique mounting flexibility, and convenient cockpit calibration ensure easy, economical installation.

Power Input	7-32 VDC; 0.56 W max
Output	ARINC 429 custom format
Dimensions	2.75 inches x 3.0 inches x 0.81 inches
Weight	0.19 lbs (3 oz)
Temperature	-55°C to +70°C (-67°F to +158°F)
Altitude	55,000 feet
Manufactured	Designed and built in Wichita, Kansas, USA
Certification	FAA TSO certified to C6e RTCA DO-160G RTCA DO-178C Level A



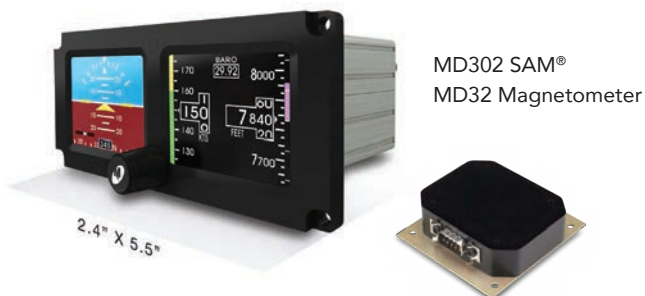
Now **SAM**[®] is even smarter.

Introducing the MD32 Magnetometer

The first certified 2-inch indicator to display attitude, altitude, airspeed, vertical trend, heading and slip information just got smarter.

Now, with the optional MD32 Magnetometer, SAM[®] delivers independent heading reference without the hassle of special installation hardware or orientation limitations. It's unique mounting flexibility, compact size and convenient cockpit calibration ensures an easy, low-cost installation...every time.

No brackets. No shims. No hassle. No problem.



FAA TSO CERTIFIED

2-inch attitude, altitude, airspeed, vertical trend, heading and slip.

flySAM.com