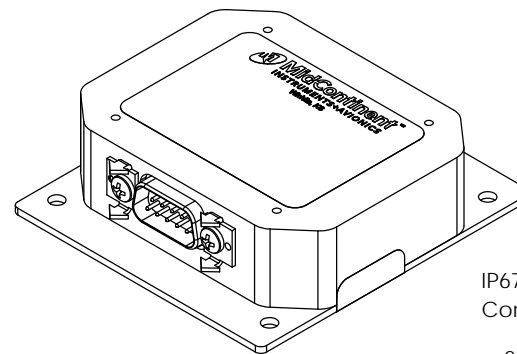
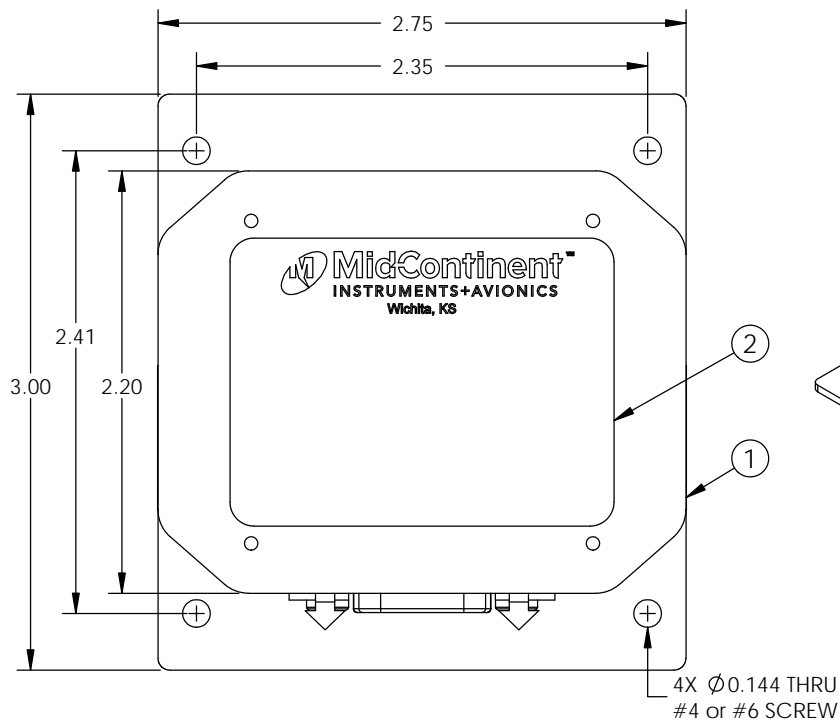
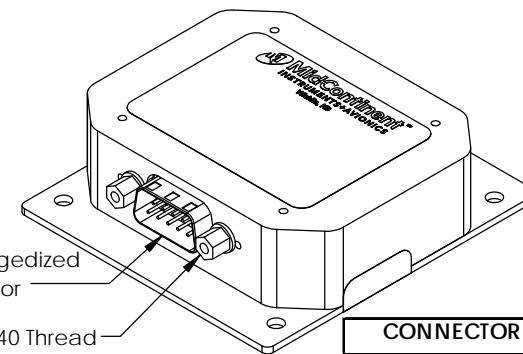


Configuration		
Dash #	Assy, MD32	Connector Kit
-1	9019051-1	9019092-1
-2	9019051-2	9019092-2

Revision				
ECO	Rev	Description	Date	Approved
	A	Production release.	02/16/18	VAA/BAW
6883	B	Added RTCA DO-178C, Level A and changed mating connector number from 8017287 to 9019092-1.	03/14/18	VAA/CAS
7079	C	Added -2 configuration.	06/11/19	VAA/BAW



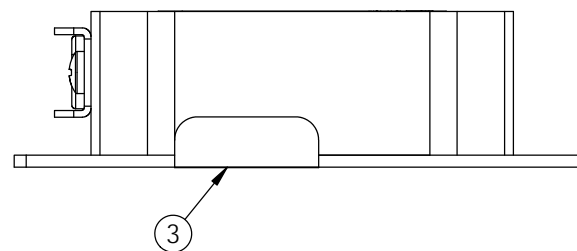
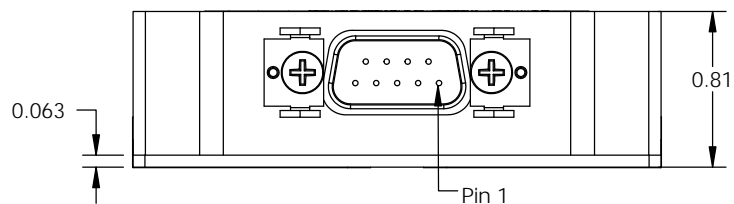
-1 Configuration



IP67 Ruggedized Connector  
2X #4-40 Thread

-2 Configuration

CONNECTOR PINOUT	
Pin #	Description
1	Ground
2	Not Used
3	Reserved
4	Reserved
5	Power
6	ARINC Out B
7	ARINC Out A
8	Not Used
9	Not Used



**SPECIFICATIONS**

Model	MD32
Power Input	7 to 32 VDC, 0.56 watts maximum
Weight	3.0 oz
Qualifications	RTCA DO-160G; RTCA DO-178C, Level A FAA TSO-C6e (part of an incomplete system)
Output	ARINC 429 Custom Format
Temperature	-55°C to +70°C
Altitude	55,000 feet
Mating Connector	See configuration table
Case	Anodized Aluminum, Black
Install Manual	9019050

UNLESS OTHERWISE SPECIFIED, ALL DIMENSIONS ARE IN INCHES.  
TOLERANCE:  
FRACTIONAL=±1/64  
.XX=±0.015  
.XXX=±0.005  
.XXXX=±0.002  
ANGULAR=±0.5°  
WEIGHT N.T.E. +5%  
BREAK ALL SHARP EDGES  
THREADS PER MIL-S-7742

DRAWN:  
VAA  
12/20/2017

APPROVED:  
BAW  
02/16/2018

This document discloses proprietary information of Mid-Continent Instrument Co., Inc. It may be reproduced or disclosed only with written permission of Mid-Continent Instrument Co. and is not to be used in any way detrimental to the interests of Mid-Continent Instrument Co., Inc.

TITLE:  
**Remote Magnetometer**

SCALE: 1:1

DO NOT SCALE THIS DRAWING



PART NUMBER:  
**6420032**

SHEET: 1 of 1

Item	Qty	Part Number	Description
1	1	See config	Assy, Remote Magnetometer, MD32
2	1	9019052-1	Nameplate, MD32
3	2	6018956	Decal, Warranty